

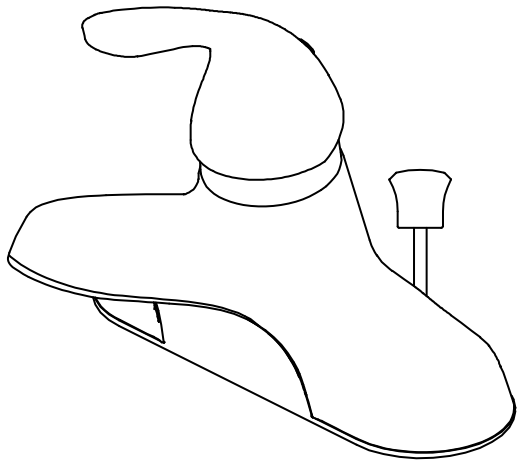


EARTH[®] LUXE SINGLE-HANDLE BATHROOM FAUCET

Model:

N-SLSA-LF12-CH-50-US

N-SLSA-LF12-BN-50-US



This diagram is for illustration purposes only.
Your model may vary.

TABLE OF CONTENTS

Pre-Installation	3
Tools Required.....	3
Installation	4
Care and Maintenance	11
Safety Precautions	12
Warranty and Service	13
Ordering Parts or Accessories	14

PRE-INSTALLATION

Before you install this product, ensure that all parts are present. Compare parts with the package contents list. If any part is missing or damaged, do not attempt to install the product. Contact customer service for replacement parts.

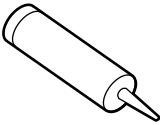
Tools Required



Wrench



Safety Goggles

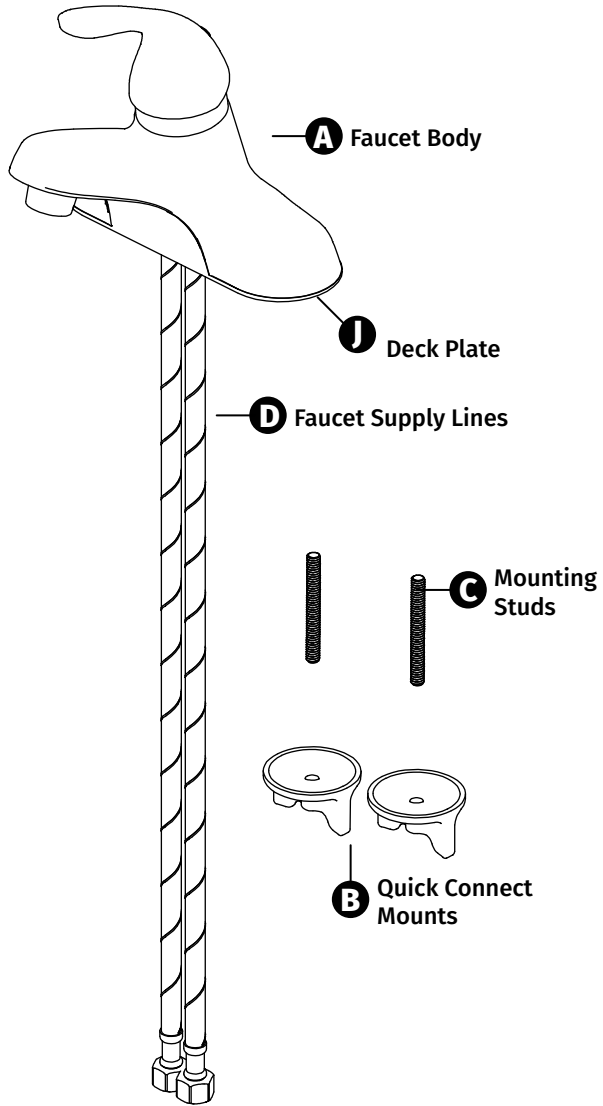


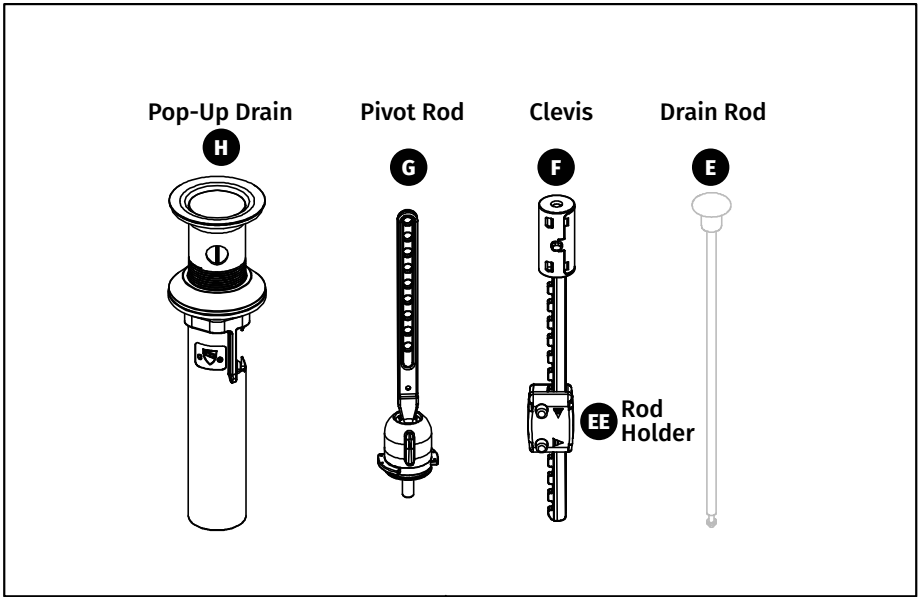
Silicone Sealant



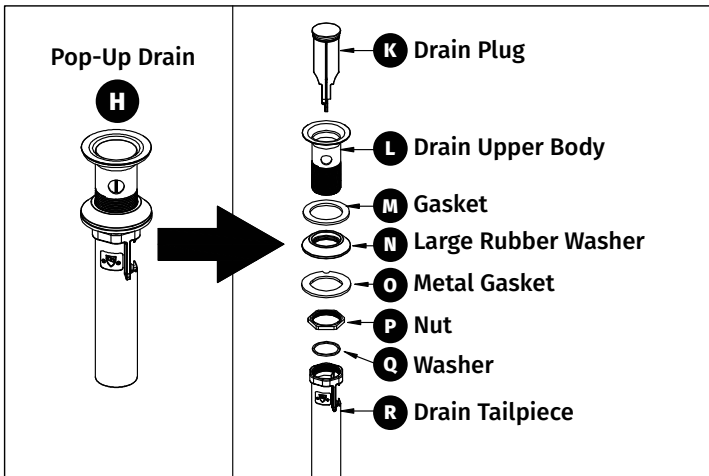
Plumber's Putty

INSTALLATION

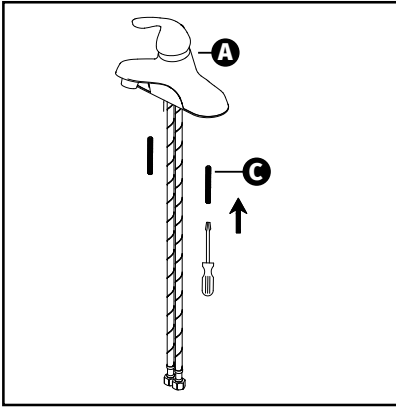




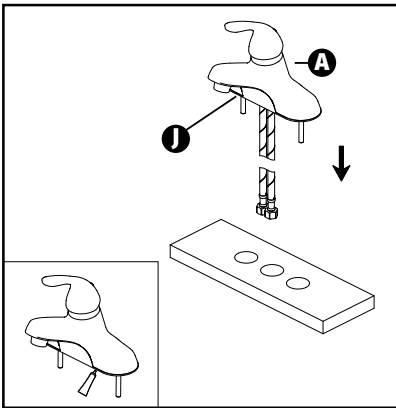
I
Pop-Up Drain Assembly



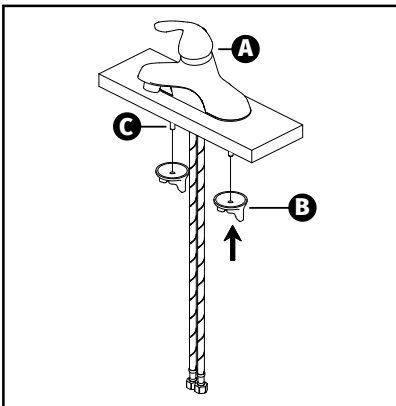
INSTALLATION (continued)



- 1** Attach Mounting Studs **C** to Faucet Body **A**.

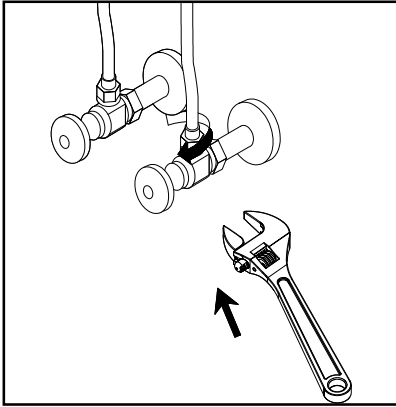


- 2** Insert Faucet Body **A** with attached supply lines through sink's center hole.

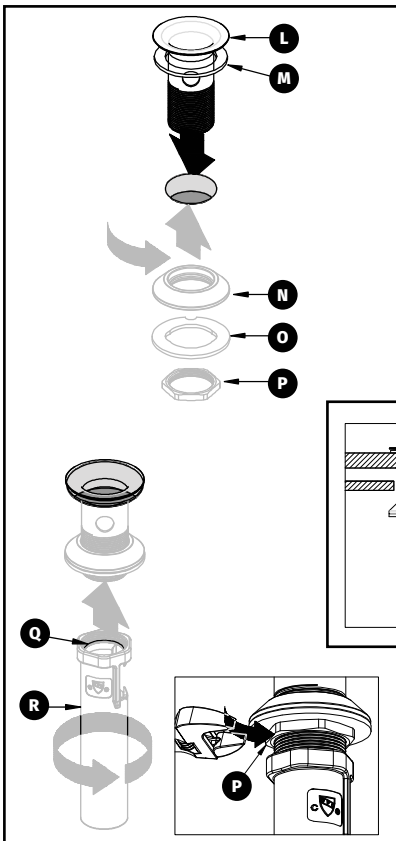


- 3** Secure Faucet Body **A** to sink deck by attaching Quick Connect Mounts **B** to Mounting Studs **C**. Rotate Quick Connect Mounts clockwise to tighten.

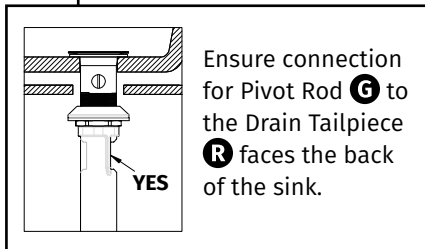
INSTALLATION (continued)



- 4** Connect hot and cold supply lines to hot and cold supply valves. DO NOT use plumber's tape if a rubber washer is seated in the Supply Line's connector.

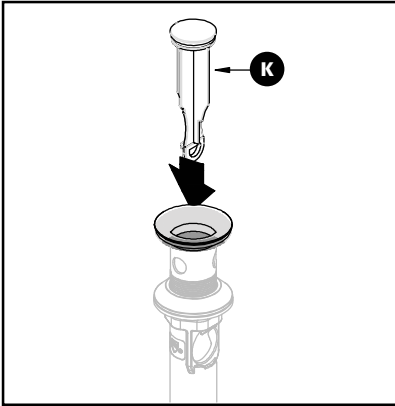


- 5** Install the Pop-Up Drain **H** from the Pop-Up Drain Assembly **L**. Use plumber's putty to seal the drain.
- Tighten Nut **P** to Drain Upper Body **L** with a wrench.

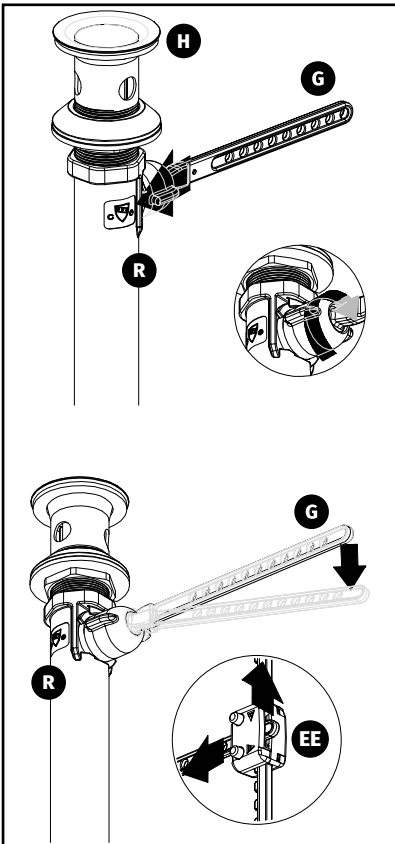


Ensure connection for Pivot Rod **G** to the Drain Tailpiece **R** faces the back of the sink.

INSTALLATION (continued)



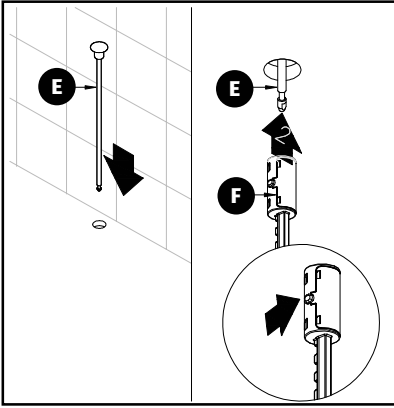
6 Install Pop-Up Drain Plug **K**.



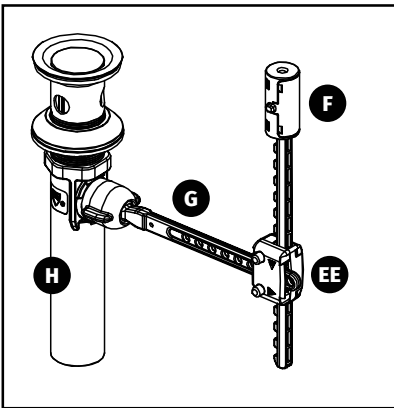
7 Install Pop-Up Pivot Rod **G**. Insert into Drain Tailpiece **R** and rotate to tighten.

Push button on Rod Holder **EE** to insert or adjust position of Pivot Rod **G**.

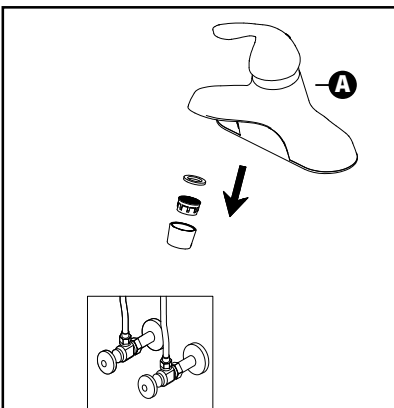
INSTALLATION (continued)



8 Insert Drain Rod **E** through Faucet Body **A** and attach to Clevis **F**.

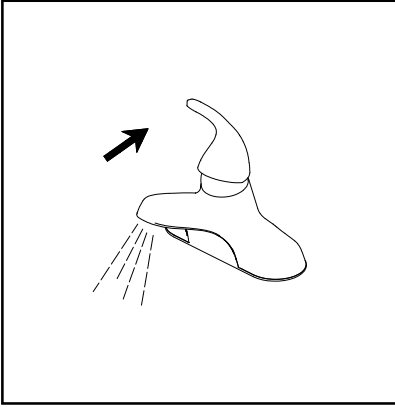


9 Push corresponding buttons on Rod Holder **EE** to adjust position of Clevis **F** and Pivot Rod **G** as required for Pop-Up Drain Assembly **I** to function correctly and seal the drain.

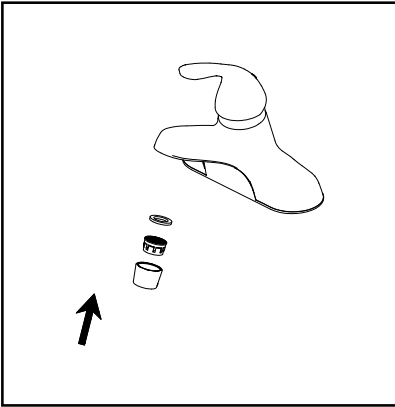


10 Remove faucet aerator from Faucet Body **A**. Rotate counterclockwise to loosen. Turn on hot and cold supply valves by rotating counter clockwise.

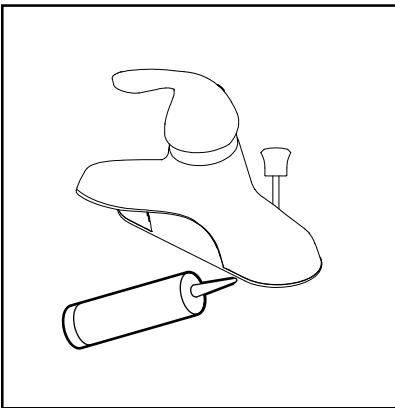
INSTALLATION (continued)



11 Turn on faucet.



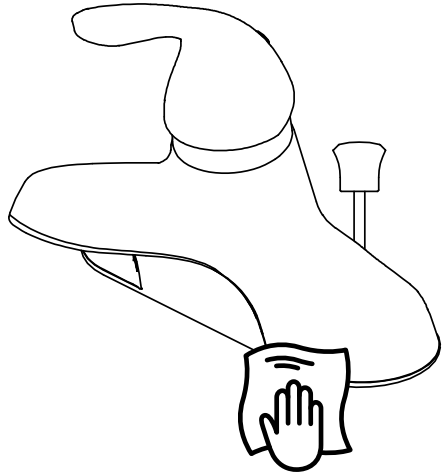
12 Reinstall the faucet aerator by rotating it clockwise until it's tight.



13 Apply a bead of silicone sealant around the perimeter of the Faucet Body after installation is completed and Deck Plate is positioned as desired.

CARE AND MAINTENANCE

- If the faucet leaks from the spout, shut off the water supplies and replace the cartridge. Ensure that you install the cartridge correctly for the proper handle rotation.
- To keep your faucet looking new, wipe down after each use with a soft cotton cloth.
- Protect your faucet from hard water stains and mineral deposits by periodically using an auto spray wax.
- Clean using mild liquid soap and a non-abrasive sponge or cloth. Rinse with clean water.



SAFETY PRECAUTIONS

To avoid injury or accidents, please follow all safety precautions.



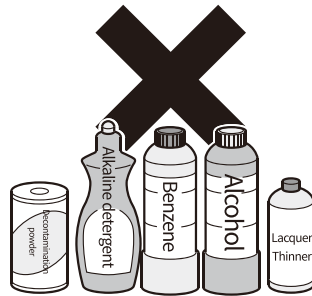
WARNING



WARNING: This product can expose you to chemicals including lead, which is known to the State of California to cause cancer. For more information, go to www.P65Warnings.ca.gov.



WARNING: Do not use any kind of chemicals or abrasives to clean.



WARRANTY AND SERVICE



AM Conservation warrants that this product is free from defects in material and workmanship for the lifetime of the product from the date of the first purchase or the original distribution of the product under an energy conservation program, subject to the proper installation and/or use of the product. For full standard limited product warranty, please visit amconservation.com/warranties.

If you need information or have any questions, please contact our customer service center at customercare@amconservation.com.

Failure to comply with the assembly, installation, or use instructions will invalidate the applicable product warranty and may cause product malfunction, deficiency, or breakdown, which may result in an injury or property damage.

Neither AM Conservation nor product distributor, supplier, or manufacturer are responsible for any adverse outcome that customer might experience as the result of not following the provided assembly, installation, or use instructions.

ASSORTED INFORMATION

Designed and developed in the USA. Manufactured in China.

Patent www.amconservation.com/patents

ORDERING PARTS OR ACCESSORIES

To order parts or accessories, please contact our customer service center at customercare@amconservation.com.



Certified by
IAPMO R&T

